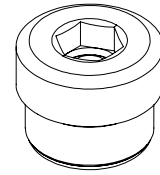
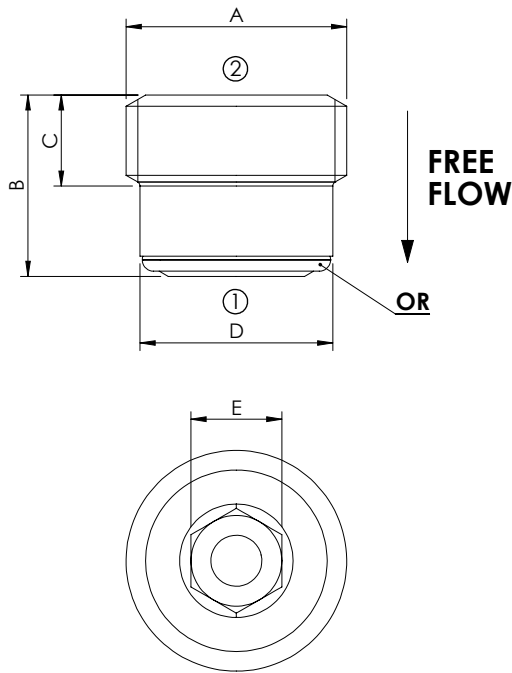


CHECK VALVE

**CDVN-XXX-PAGS**

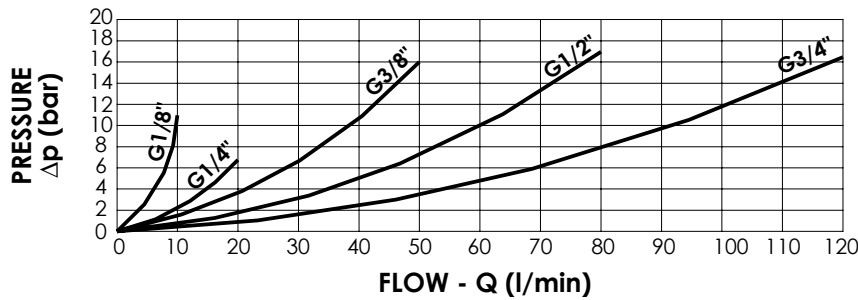
MONODIRECTIONAL  
POPPET TYPE



**SPECIFICATIONS**

Max. operating pressure: 350 bar

Quick code	A	B	C	D	E	OR
CD000179	G 1/8"	8.0	3.9	8.5	Hex. 4	6.00 x 1 N70
CD000180	G 1/4"	10.2	5.5	11.5	Hex. 6	9.00 x 1 N70
CD000181	G 3/8"	11.7	7.0	14.9	Hex. 8	11.00 x 1.50 N70
CD000182	G 1/2"	13.5	7.9	18.7	Hex.10	14.00 x 1.78 N70
CD000183	G 3/4"	17.1	11.5	24.0	Hex.10	18.77 x 1.78 N70



**NOTES**

Hardened seat and piston

**ORDERING CODES**

Quick code	Description	Cracking pressure (bar)	Rated flow (l/min)	Cavity	Installation torque (Nm)
CD000179	CDVN-010-PAGS-307-N001	0.3	10	VP000307 (G1/8")	5
CD000180	CDVN-020-PAGS-309-N001	0.3	20	VP000309 (G1/4")	15
CD000181	CDVN-050-PAGS-310-N001	0.3	50	VP000310 (G3/8")	20
CD000182	CDVN-080-PAGS-311-N001	0.3	80	VP000311 (G1/2")	40
CD000183	CDVN-120-PAGS-312-N001	0.3	120	VP000312 (G3/4")	50